

ELECTRIC AIRPLANE TOW CART



INSTRUCTIONS AND WARRANTY

Thank you for purchasing the **Electric Airplane Tow Cart**. Each unit is manufactured to ensure safety and reliability. Before using this product for the first time, please read the instruction manual carefully and keep it for future reference.

Pictures, charts, and information in this leaflet are for description and explanation only and is subject to change without notice. Please find the latest version on our website: <https://foxcart.co.za>.

Contact details: info@foxcart.co.za | 082 574 3199

PRODUCT FEATURES

- 48V, 800W brushless motor mounted on a differential
- Rear swivel caster wheel
- LCD battery level indicator
- Hand-twist throttle
- Steering attachment arms
- 4x 12V Batteries
- 15-inch tyres
- Key "power on/off" switch
- Forward/reverse switch
- Actuator open/close switch
- Spare fuse
- 48V charging cable

IMPORTANT SAFEGUARDS

1. When using any electrical equipment, basic safety precautions should always be followed, including the following:
2. Please read the instructions carefully before using the product.
3. Incorrect operation and improper use can cause damage to the product and cause injury to the user.
4. Avoid any contact with moving parts.
5. Close supervision is required when the product is used near children or disabled people.
6. Check the power cord and plug regularly for any damage. If the cord or plug is damaged, it must be replaced by the manufacturer or a qualified person to avoid an electrical hazard.
7. Do not use the product if it has been damaged in any way. In case of damage, take the unit in for examination and/or repair by the manufacturer.
8. This product is not intended for use by persons (including children) with reduced physical, sensory, or mental capabilities, or lack of experience and knowledge, unless they have been given supervision or instruction concerning the use of the product by a person responsible for their safety.
9. Never immerse the product in water or any other liquid for cleaning purposes.
10. Remove the plug from the socket by gripping the plug. Do not pull on the cord to disconnect the power. Always unplug the product before cleaning.
11. A short cord is provided to reduce the hazards resulting from becoming entangled in or tripping over a longer cord.
12. The use of an extension cord with this product is not recommended. However, if it is necessary to use an extension cord, ensure the cord is suited to the power consumption of the product to avoid overheating of the extension cord, product or plug point. Do not place the extension cord in a position where it can be pulled on by children or animals or tripped over.
13. Do not use this product for anything other than its intended use.
14. Ensure that the key is in the "off" position after each use.
15. The manufacturer does not accept responsibility for any damage or injury caused by improper or incorrect use, or repairs carried out by unauthorised persons.
16. In case of technical problems, switch off the product and do not attempt to repair it yourself. Return the product to the manufacturer for examination, adjustment, or repair.

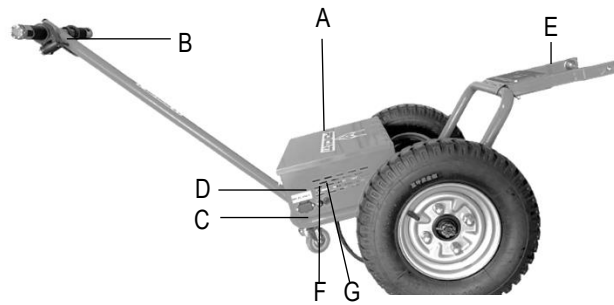
SPECIFICATIONS

Power consumption	AC 220V 50Hz 300W
Output	DC 48V 800W
Dimensions	170 × 73 × 74 cm
Net weight	50 kg

PARTS DIAGRAMS

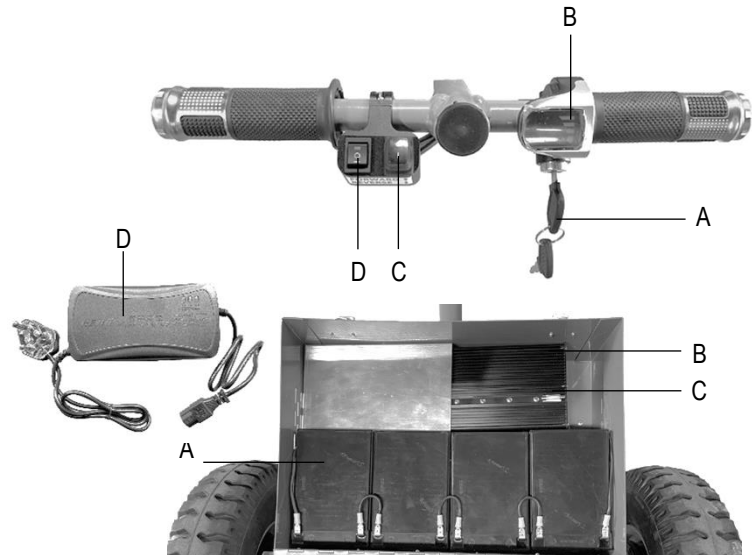
Main unit

- A. Battery box
- B. Steering handles
- C. Swivel caster wheel
- D. Power socket
- E. Steering attachment arms
- F. Fuse
- G. Main circuit breaker



Steering

- A. Power on/off key
- B. Battery level indicator
- C. Forward/reverse switch
- D. Actuator open/close switch

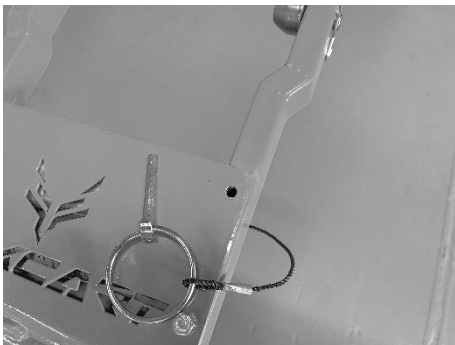


Power box

- A. Batteries
- B. Controller for brushless motor
- C. Spare fuse
- D. 48V battery charger

OPERATING INSTRUCTIONS

1. Make sure steering arm safety pin is removed.
2. Press actuator switch until steering arm is fully open.
3. Push the tow cart to align the left-hand steering arm into position.
4. Press actuator switch to close the right-hand steering arm into position.
5. Install safety pin.
6. Switch on the unit with the key.
7. Activate forward/reverse switch, depending on which direction you need to go.
8. Position aircraft steering wheel by lifting the tow cart's wheels off the ground, turning the aircraft's wheels to the desired position.
9. Place tow cart on the ground and gently open throttle.
10. Throttle is sensitive. If opened too much, the wheels will lose traction and spin.
11. After moving aircraft into desired location, switch off the key.
12. Remove the safety pin.
13. Push the actuator switch to open the steering arm.
14. Pull the tow cart away from the aircraft.
15. Switch on the key switch, open the throttle and move the tow cart to its storage space.
16. Switch off the key switch.



Safety pin on left actuator

IMPORTANT

Do not allow the batteries to fully discharge. It is best to charge the batteries when they are at least 25%, to prolong the lifespan of the batteries. The charger has a red and green light. The green light will display when the batteries are fully charged.

WARRANTY

This warranty is issued by Foxcrete Concrete Pumping CC, hereinafter referred to as the "Company", for Electric Airplane Tow Cart, to the original purchaser only, of the product described on this warranty and shall constitute the only warranty given in respect of this product. The Company warrants the original purchaser that for the period of 12 MONTHS from date of purchase the product will be covered by a full 12 MONTH labour and parts guarantee and should be free from defect under normal use both in workmanship and material.

If the product become faulty and fail to function, the purchaser of the product will be responsible to deliver the product to the manufacturer for assessment and repairs and to uplift it again after the repair has commenced. If not, the warranty is subject to the following conditions:

1. Repair or replacement of any part of this product, found by the Company to be defective, shall be at the cost of the Company. After the repairs have been completed, the original purchaser is gain responsible for collection and transportation of the product.
2. This warranty covers the product for personal use only.
3. All fuses and LED lamps are excluded from this warranty. Abuse, misuse in conflict with the operating instructions, shall release the Company from all its obligations under warranty. Connection to the incorrect voltages (generators, solar panels, wind turbines without the added and compulsory of pure sine wave invertors), shall release the Company from all its obligations under warranty. It is an express condition of these warranties that the purchaser takes due care and attention in the se and maintenance of this product.
4. No product will be exchanged or refunded if the Company did not insect the products to verify the fault/complaint beforehand.
5. Any products will be excluded from this warranty, should findings indicate that the unit has been misused.
6. This warranty does not cover rodent or insect infestation.
7. This warranty shall become void if the product is dismantled by, or any repairs to the product are affected by any person not authorised by the Company, or if replacement parts not approved by the Company are used in any product, or the serial number of the product are tampered with.
8. These warranties shall not apply if the product is purchased in South Africa and used beyond the borders of the Republic of South Africa.
9. The Company shall not be responsible for damages resulting from fire, floods, civil disturbances, or any Act of God. The Company shall not, in terms of these warranties be responsible, not held liable for any consequential loss or damage of any kind caused by or due to the failure or malfunctioning of the product.
10. The Company shall not be held responsible for transportation/other costs other than those incurred with the provisions of Point 1 of this certificate.
11. Where service is requested under warranty and no fault or any defect is found by the Company, all costs incurred will be for the purchaser's account.
12. This certificate, together with the purchaser's proof (invoice) will serve as proof of purchase. For warranty purposes, it will be essential to produce this invoice. Failure to do so will render the purchaser liable for service costs.
13. Where the purchaser lives in an outlying area (farms/remote locations) the Company reserves the right to request such a purchaser to transport the product to and from the Company for repairs for as long as the product remains under guarantee.
14. Contact details: info@foxcart.co.za, 082 574 3199